

MOTOMAN MH400 II

Handling & General Applications
with the MH-series



The 6-axis MOTOMAN MH400 II is a versatile, powerful robot offering superior performance for a variety of applications. It provides a high payload of 400 kg and a wide motion range, which especially enables the handling of large work pieces.

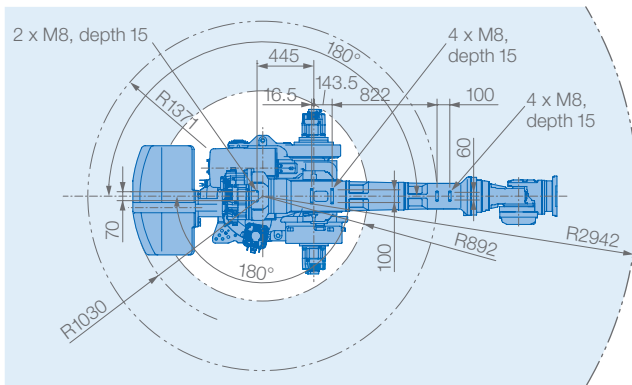
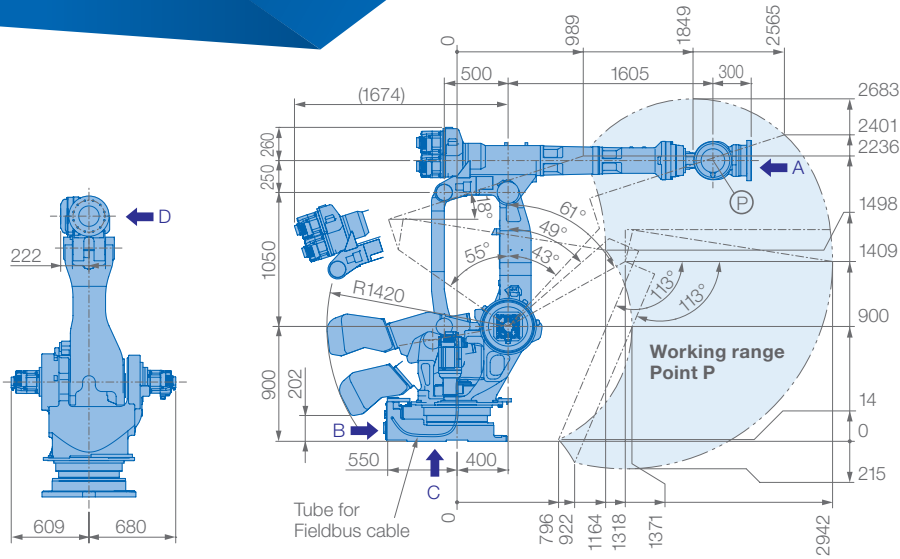
The robot features a parallel-link construction for strength, rigidity and stabilization of high moment and inertia loads. The MH400 II also has heavy-duty bearings which provide a smooth arm rotation.

The MOTOMAN MH400 II is available with the optional Category 3 Functional Safety Unit (FSU), which allows an establishment of 32 safety units and up to 16 tools.

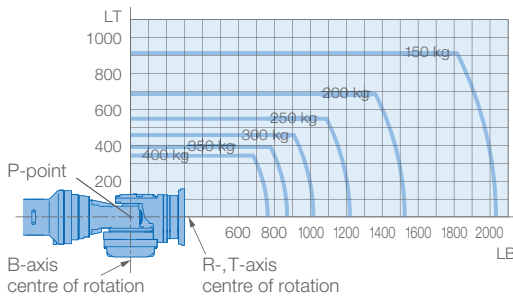
KEY BENEFITS

- Fast, flexible and powerful
- High payload: 400 kg
- Wide motion range: 2942 mm
- Parallel-link construction
- Heavy-duty bearings for smooth arm rotation
- Enhanced safety functions

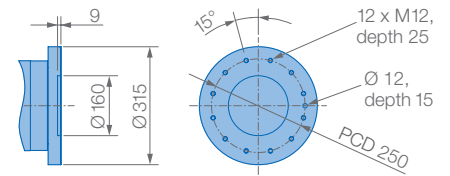
MOTOMAN MH400 II



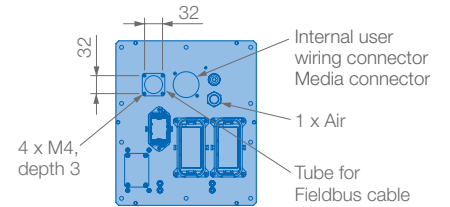
Allowable wrist load



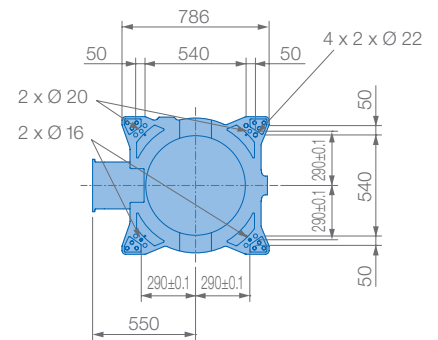
View A



View B

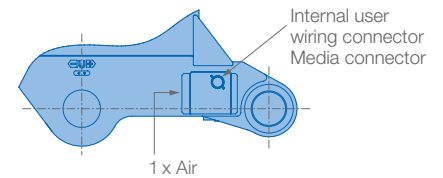


View C



Mounting option: Floor
Protection class: IP30/67

View D



Specifications MH400 II

Axes	Maximum motion range [°]	Maximum speed [°/sec.]	Allowable moment [Nm]	Allowable moment of inertia [kg · m²]	Controlled axes	
					Max. payload [kg]	6
S	±180	102	–	–	Repeatability [mm]	±0.3
L	+61/–55	97	–	–	Max. working range R [mm]	2942
U	+18/–113	97	–	–	Temperature [°C]	0 to +45
R	±360	80	2989	500	Humidity [%]	20 – 80
B	±115	80	2989	500	Weight [kg]	2700
T	±360	172	1343	315	Power supply, average [KVA]	7.0

YASKAWA

www.yaskawa.eu.com

YASKAWA Europe GmbH
Robotics
Yaskawastraße 1
85391 Allershausen, Germany
Tel. +49 (0) 8166 90-0
robotics@yaskawa.eu.com

All dimensions in mm

Technical data may be subject to change without previous notice | Please request detailed drawings at robotics@yaskawa.eu.com

YR-MH400-J00
A-04-2017, A-No. 171855